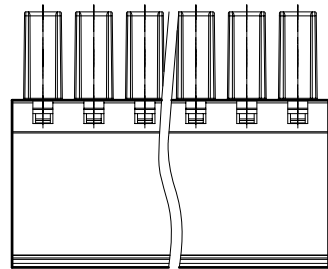
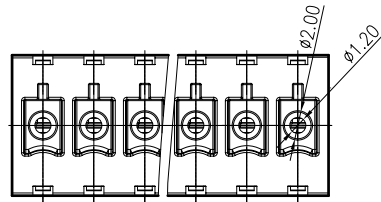
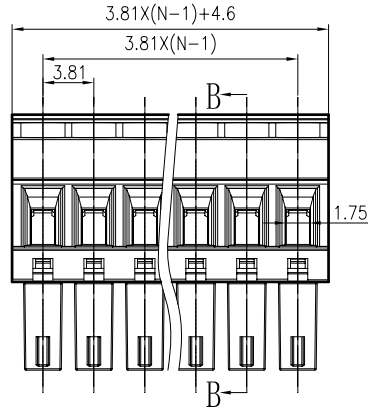
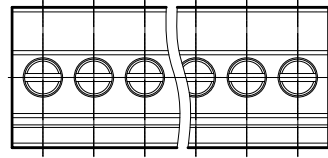
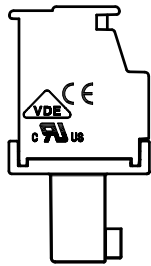


Notes:

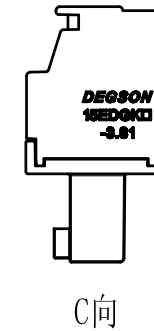
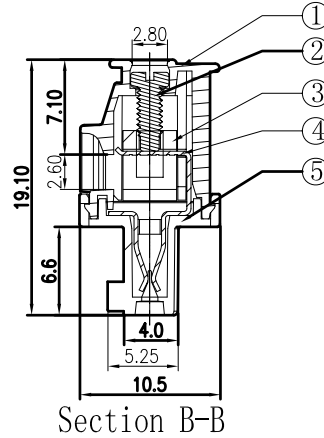
- Pitch:3.81mm , Poles:2-24P
- Rated voltage/current:UL 300V/8A
VDE 250V/7A
- Operation temperatures:-40℃~+105℃
- Withstanding Voltage:AC2000V/1Min
- Insulation Resistance:5000MΩ /DC1000V
- Wire Range:28~16AWG, 0.5-1.5mm²
- Max. Torque
Value:M2, 2.04kgf. cm(1.77Lb. in)
- Undimensioned Tolerances:

REVISION RECORD				
REV	ECO	DESCRIPTION	DRFT	DATE

Pitch range in mm		Nominal dimension range in mm					—
to 6	over 6 to 10	over 10 to 24	to 30	over 30 to 60	over 60 to 100	over 100 to 150	∩
±0.10	±0.15	±0.25	±0.2	±0.3	±0.5	±0.7	∇



C



C向

5	15EDGKA/B-3.81-100A-Cover	1041COYXXE (H)	1	PA66	UL94V-0
4	15EDGKA/B-100A-Clamp	1033B00020 (H)	XX	Phosphor bronze	SnCe
3	15EDGK Cage	X000000010 (H)	XX	Brass	Ni Plated
2	15EDG Screw-M2.0	S000001360 (H)	XX	Steel	Cr ³⁺ Zn
1	15EDGKA/B-3.81-100A-Housing	1041A0YXXE (H)	1	PA66	UL94V-0
ITEM	NAME OF PART	NO. OF PART	Q'TY	MATERIAL	NOTES

DETACHED LISTS	MM (INCH)	DFTO Apple	DATE 04/11/09*	宁波高正电子有限公司 DEGSON ELECTRONICS CO., LTD	
	TOLERANCES EXCEPT AS NOTED	CHKD	DATE		
		MFO	DATE		
		APPVL	DATE		
	MM	±	MATERIAL :	NAME	
	.0 ±	±		15EDGKA-3.81-XXP-1Y-100A (H)	
	.00 ±	±		DRAWING NO. 15EDGKA-3.81-E100	SIZE A3
	.000 ±	±		/PART NO.	REV TO 09/10/10*
	ANGLES ± 1°	G.E :		DO NOT SCALE DRAWING	SHEET 1 OF 1
	THIRD ANGLE PROJECTION	FINISH :			