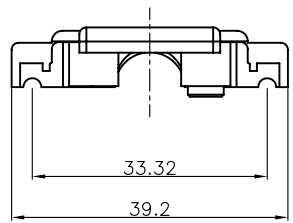


REV.	DESCRIPTION	DRAWN	CHECKED	APPROVED

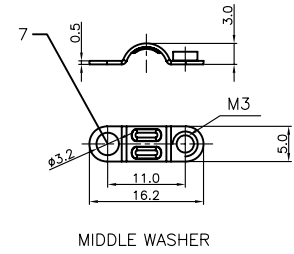
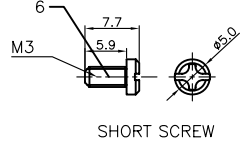
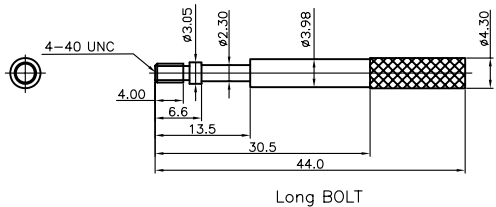
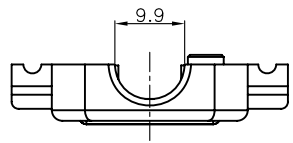
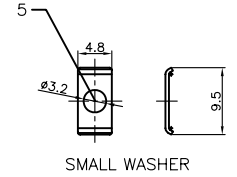
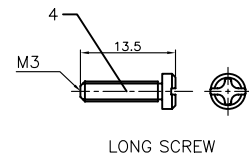
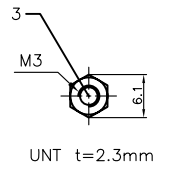
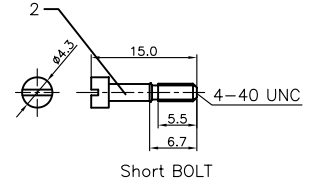
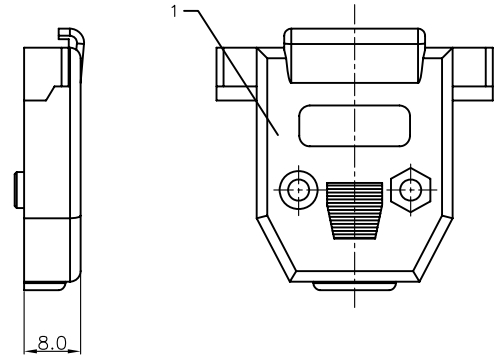
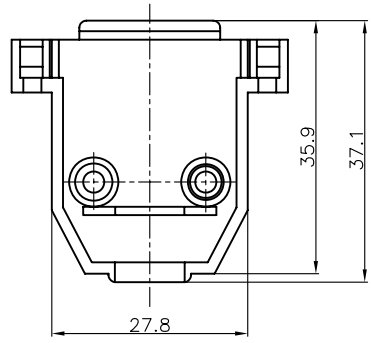
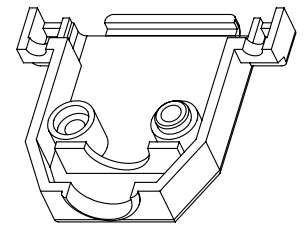


BOM LIST			
ITEM	PART NAME	Q'ty	NOTES
1	PLASTIC HOOD	2	ABS
2	BOLT	2	#4-40
3	NUT	2	M3
4	LONG SCREW	2	M3
5	SMALL WASHER	2	
6	SHORT SCREW	2	M3
7	MIDDLE WASHER	2	M3

NOTES:

1. PART NUMBER CODE:
DS1046 - 15 X X X

- Bolt type
L: Long
S: Short
- Packing type
1: Mix packing
2: Separation packing
- Cover Material
C: Chromium Plated
- Positions
15: 15pin



GENERAL TOLERANCE		ANGLE TOLERANCE		PROJECTION	TITLE
X.	±0.60	X.	±5°	mm	D-SUB 15pin Cover Chromium Plated
.X	±0.38	.X	±3°	A4	
.XX	±0.25	.XX	±2°	SHEET SIZE	SERIES DS1046 SERIES
DRAWING TYPE				DN-15C	
SCALE				1:1 SHEET 1 OF 1	
DRAWING NO.				C-DS1046-15XXX	