

REV.	DESCRIPTION	DRAWN	CHECKED	APPROVED
A	NEW RELEASE	HP 21/06/05		

NOTES:

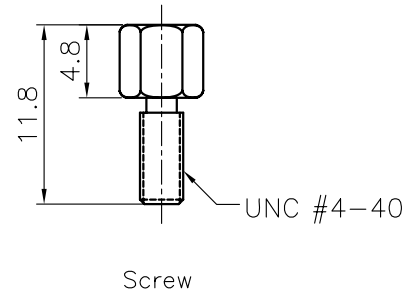
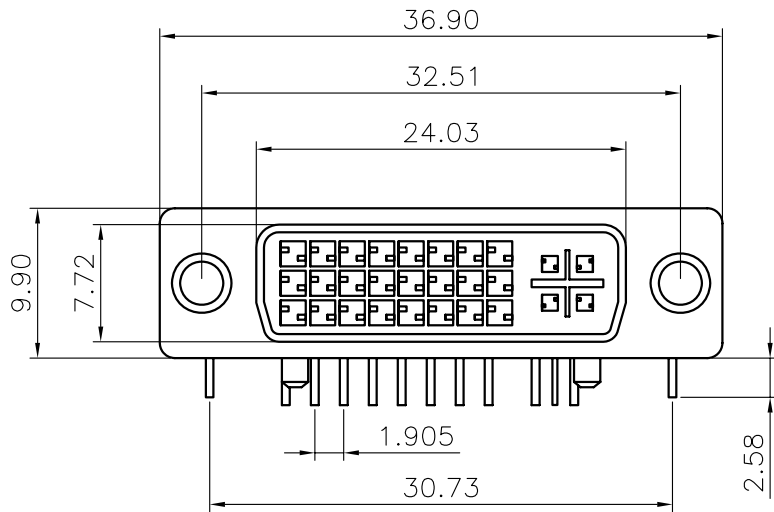
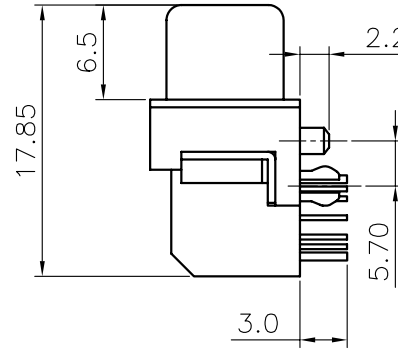
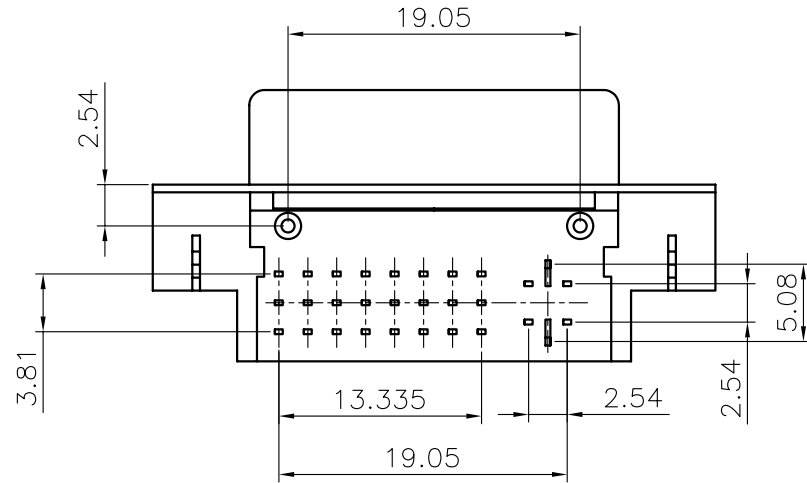
1. SPECIFICATIONS

- . Contact Resistance: 30mΩ max
- . Insulation Resistance: 1000MΩ min.
- . Current Rating: 1A
- . Dielectric withstanding voltage: AC 500V For 1 minute
- . Contact: Copper alloy.
- . Housing: Thermoplastic(UL 94V-0)

2. PRODUCT NUMBER CODE:

DS1091 - X X X X

- Screw type
X: W/O screw
S: W/ #4-40(UNC) screw
- Contact plating
0: Selective gold flash
- Shell plating
N: Nickel
6: Tin
- Color of housing
W: WHITE
B: BLACK
V: Ivory



GENERAL TOLERANCE		ANGLE TOLERANCE		PROJECTION		TITLE	DVI PLUG WITH RIGHT ANGLE 24+5(JDR-245)	
X.	±0.60	X.	±5°	UNITS	mm			
.X	±0.38	.X	±3°	SHEET SIZE	A4	SERIES	DS1091	
.XX	±0.25	.XX	±2°	DVI-D29FR 1091				
DRAWING TYPE		CUSTOMER						
SCALE		1:1	SHEET	1 OF 1				
DRAWING NO.		C-DS1091-XXXX						