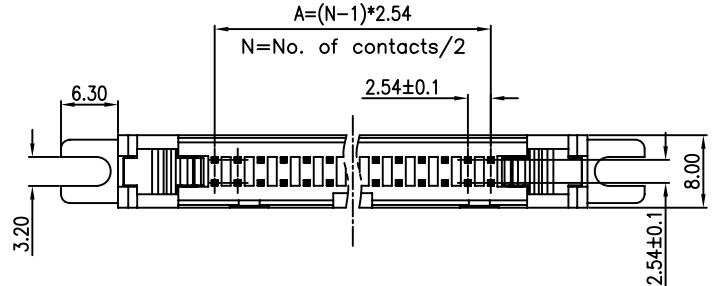
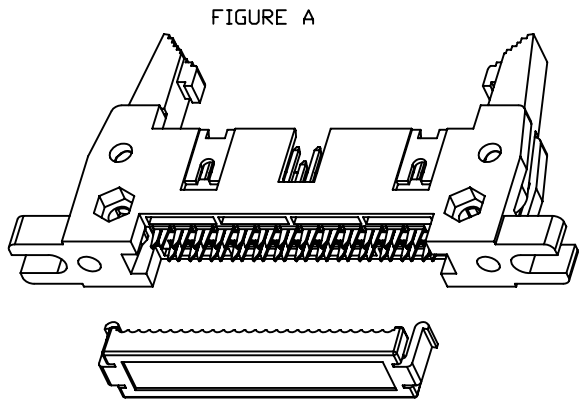
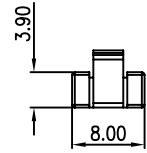
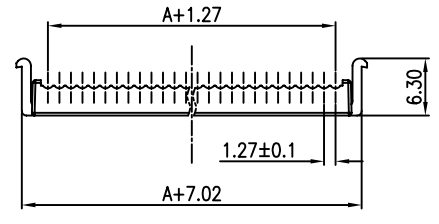
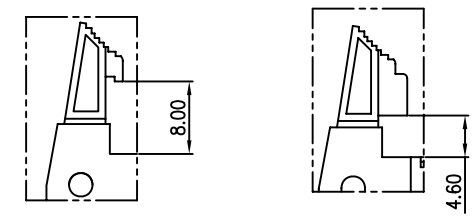
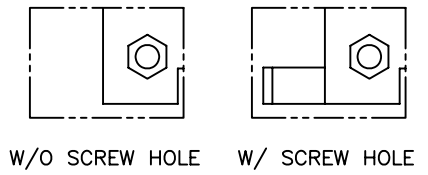
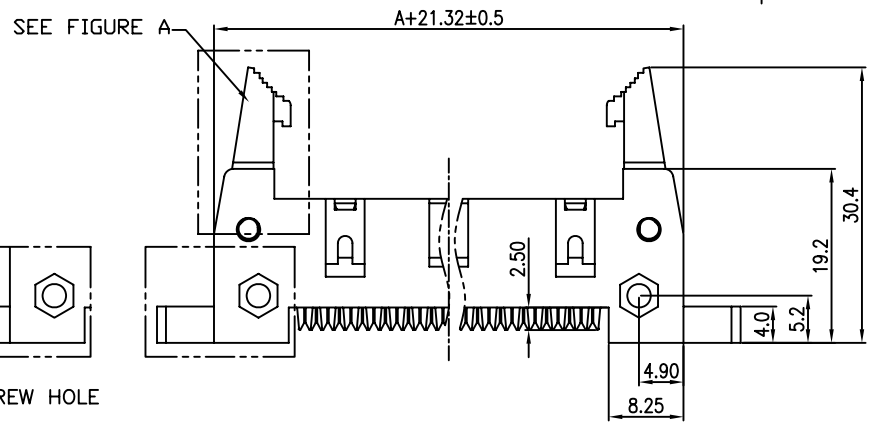


REV.	DESCRIPTION	DRAWN	CHECKED	APPROVED
A	NEW RELEASE	LL 09/25/06'		



- NOTES:
- MATERIAL
    - INSULATOR: THERMOPLASTIC (UL 94V-0).
    - CONTACT: COPPER ALLOY.
  - SPECIFICATION
    - STORAGE TEMPERATURE: -20-70°C.
    - OPERATING TEMPERATURE: 0-85°C.
    - CONTACT RESISTANCE: 20mΩ max. (initial).
    - INSULATION RESISTANCE: 1000MΩ min.
    - DIELECTRIC WITHSTANDING VOLTAGE: AC 500V PER MINUTE.
  - PART NUMBER: DS1012
  - PRODUCT NUMBER CODE:  
 DS1012- X X X X X X X  
 LOCK DIM.A  
 8: 8.00mm (standard)  
 4: 4.60mm (special)  
 HOUSING COLOR  
 A: GRAY  
 CONTACT PLATING  
 0: SELECTIVE GOLD FLASH  
 STRAIN RELIEF  
 N: W/O  
 SCREW HOLE  
 M: W/  
 N: W/O  
 EJECTOR TYPE  
 L: Long  
 No. OF CONTACTS  
 10 14 16 24 26  
 30 40 50 60 64  
 SERIES No.  
 DS1012



GENERAL TOLERANCE		ANGLE TOLERANCE		PROJECTION		TITLE	IDC SHROUDED HEADER
X.	±0.60	X.	±5°	UNITS	mm	MATES WITH PITCH 1.27mm FLAT CABLE	
.X	±0.38	.X	±3°	SHEET SIZE	A4	SERIES	DS1012 SERIES
.XX	±0.25	.XX	±2°	IDCC-10 IDCC-14 IDCC-16 IDCC-24 IDCC-26 IDCC-30 IDCC-40 IDCC-50 IDCC-60 IDCC-64			
DRAWING TYPE		CUSTOMER					
SCALE		1:1	SHEET	1 OF 1			
DRAWING NO.		C-DS1012-XXXXXXX					