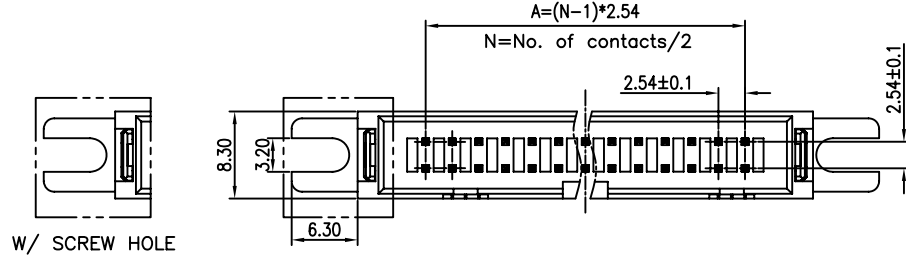
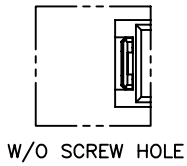


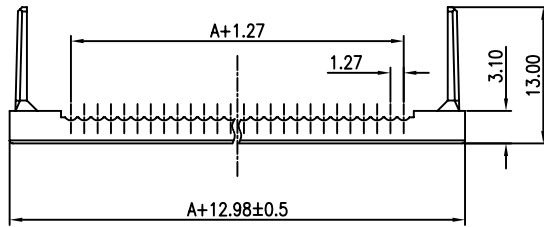
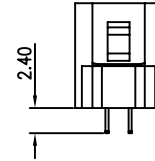
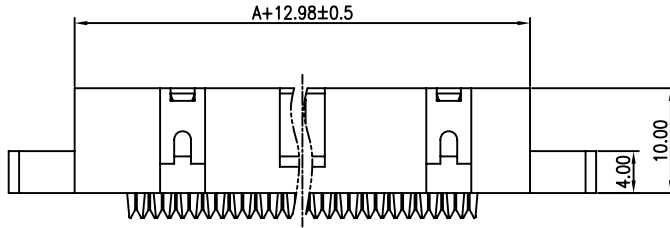
REV.	DESCRIPTION	DRAWN	CHECKED	APPROVED
A	NEW RELEASE	LL 09/11/06'		



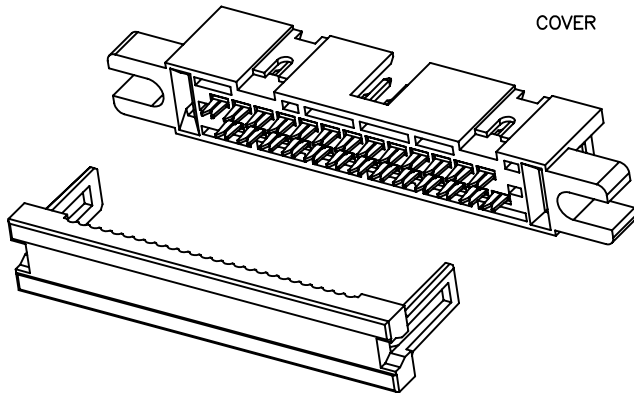
W/ SCREW HOLE



W/O SCREW HOLE



COVER



NOTES:

- MATERIAL
  - INSULATOR:THERMOPLASTIC(UL 94V-0).
  - CONTACT: COPPER ALLOY.
- SPECIFICATION
  - STORAGE TEMPERATURE:-20-70°C.
  - OPERATING TEMPERATURE:0-85°C.
  - CONTACT RESISTANCE:20mΩ max.
  - INSULATION RESISTANCE:1000MΩ min.
  - DIELECTRIC WITHSTANDING VOLTAGE:AC 500V PER MINUTE.

3. PART NUMBER: DS1015

4. PRODUCT NUMBER CODE:  
DS1015- X X X X X

HOUSING COLOR  
A:GRAY

CONTACT PLATING  
0: SELECTIVE GOLD FLASH

STRAIN RELIEF  
M:W/  
N:W/O

SCREW HOLE  
M:W/  
N:W/O

No. OF CONTACTS  
10 14 16 20 24 26  
30 34 40 50 60 64

SERIES No.  
DS1015

GENERAL TOLERANCE		ANGLE TOLERANCE		PROJECTION	TITLE	IDC SHROUDED HEADER MATES WITH PITCH 1.27mm FLAT CABLE									
X.	±0.60	X.	±5°	mm											
.X	±0.38	.X	±3°	A4	SERIES	DS1015									
.XX	±0.25	.XX	±2°				IDM-10	IDM-14	IDM-16	IDM-20	IDM-24	IDM-26	IDM-30	IDM-34	IDM-40
DRAWING TYPE		CUSTOMER													
SCALE		1:1		SHEET		1 OF 1									
DRAWING NO.		C-DS1015-XXXXX													