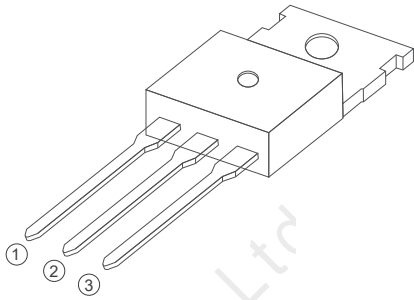


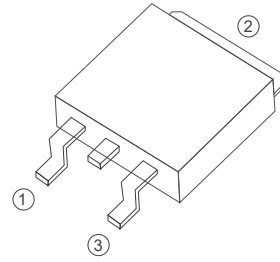
BT151 Series  
12A SCRs  
Standard SCRs



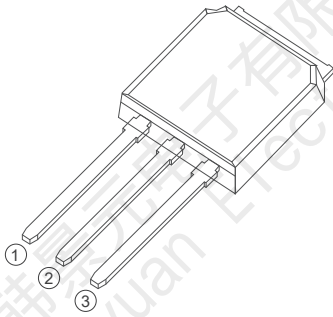
ShenZhenHanKingyuan  
Electronic CO.,Ltd



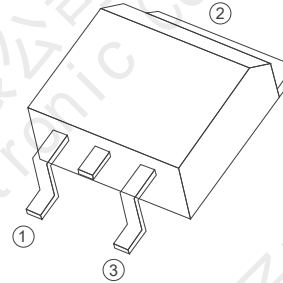
TO-220C



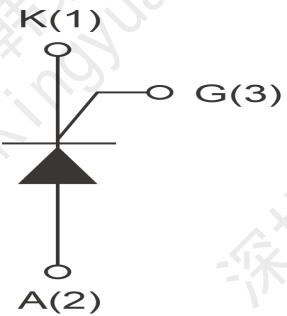
TO-252



TO-251



TO-263



## FEATURES

- > IT(RMS):12A
- > VGT: 1V
- > VDRM VRRM:650Vand800V

## APPLICATIONS

Washing machine,vacuums, massager,solid state relay, AC Motor speed regulation and so on.

**Absolute Maximum Ratings** (T<sub>j</sub>=25°C unless otherwise specified)

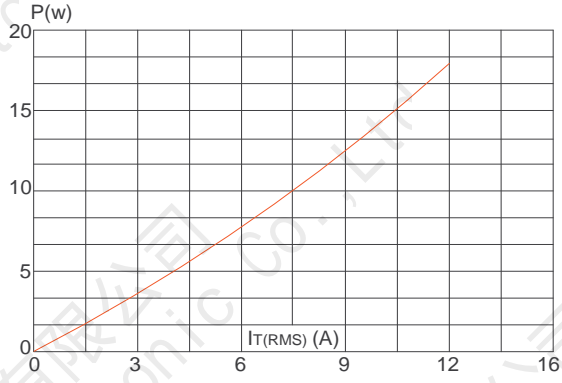
Symbol	Parameter	Conditions	Ratings	Unit
VDRM VRRM	Repetitive Peak Off-State Voltage	BT151	650	V
IT(RMS)	R.M.S On-State Current	T <sub>c</sub> =105°C	12	A
IT(AV)	On-state average current	T <sub>C</sub> =105°C	7.5	A
ITSM	Surge On-State Current	T <sub>p</sub> =10ms/t <sub>p</sub> =8.3ms	120/132	A
I <sup>2</sup> t	I <sup>2</sup> t for fusing	T <sub>p</sub> =10ms	75	A <sup>2</sup> s
PGM	Peak Gate Power Dissipation	T <sub>j</sub> =125°C	2	W
PG(AV)	Average Gate Power Dissipation	T <sub>j</sub> =125°C	0.5	W
T <sub>j</sub>	Operating Junction Temperature		~40~125	°C
TSTG	Storage Temperature		~40~150	°C

**Electrical Characteristics** (T<sub>j</sub>=25°C unless otherwise specified)

Symbol	Parameter	Test Conditions	Value	Unit
IDRM	Repetitive Peak Off-State Current	T <sub>c</sub> =25°C	≤10	uA
		T <sub>c</sub> =125°C	≤1	mA
IRRM	Repetitive Peak Reverse Current	T <sub>c</sub> =25°C	≤10	uA
		T <sub>c</sub> =125°C	≤1	mA
V <sub>TM</sub>	Forward "on" voltage	I <sub>T</sub> =23A, t <sub>p</sub> =380us	≤1.7	V
V <sub>GT</sub>	Gate trigger voltage	V <sub>D</sub> =12V, R <sub>L</sub> =30Ω	≤1.0	V
di/dt	Critical rate of rise of on-state current	T <sub>j</sub> =125°C, I <sub>G</sub> =2xI <sub>GT</sub> , t <sub>r</sub> ≤100ns	≥50	A/us
I <sub>GT</sub>	Gate trigger current	V <sub>D</sub> =12V, I <sub>T</sub> =0.1A	≤20	mA
I <sub>L</sub>	Latching current	I <sub>G</sub> =1.2I <sub>GT</sub>	≤40	mA
I <sub>H</sub>	Holding current	I <sub>T</sub> =0.1A	≤30	mA
V <sub>GD</sub>	Gate non-trigger voltage	V <sub>D</sub> =V <sub>DRM</sub> , T <sub>J</sub> =125°C, R <sub>L</sub> =3.3KΩ, R <sub>GK</sub> =1KΩ	≥0.25	V
dv/dt	Critical-rate of rise of commutation voltage	T <sub>J</sub> =125°C, V <sub>D</sub> =2/3V <sub>DRM</sub> , Gate open circuit	≥200	V/us
R <sub>th(j-c)</sub>	Thermal resistance	Junction to case	1	°C/W
R <sub>th(j-a)</sub>	Thermal resistance	Junction to ambient	50	°C/W

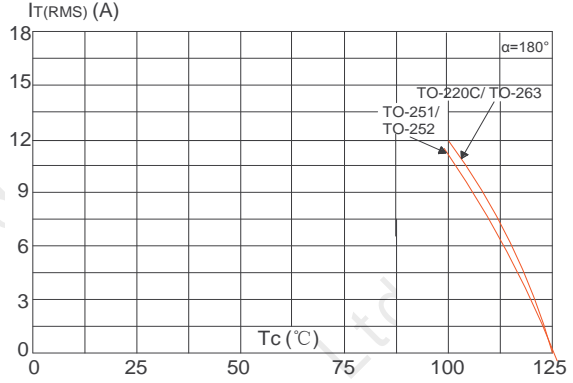
**FIG1**

Maximum power dissipation versus RMS on-state current



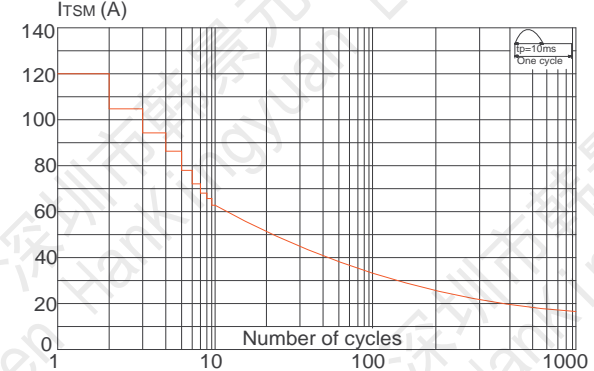
**FIG2**

RMS on-state current versus case temperature



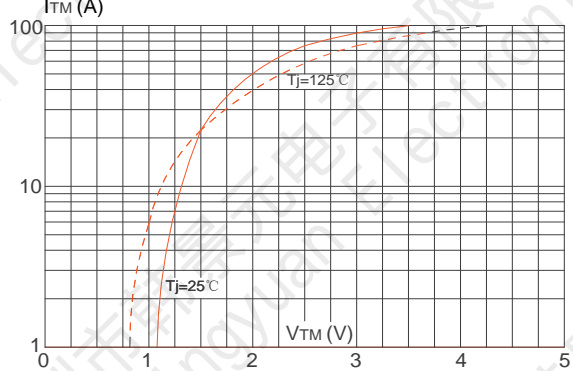
**FIG3**

Surge peak on-state current versus number of cycles



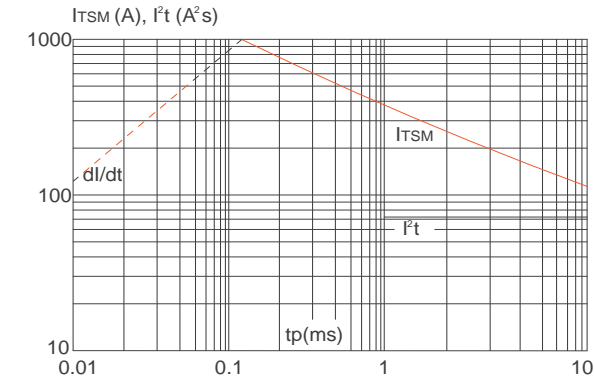
**FIG4**

On-state characteristics (maximum values)



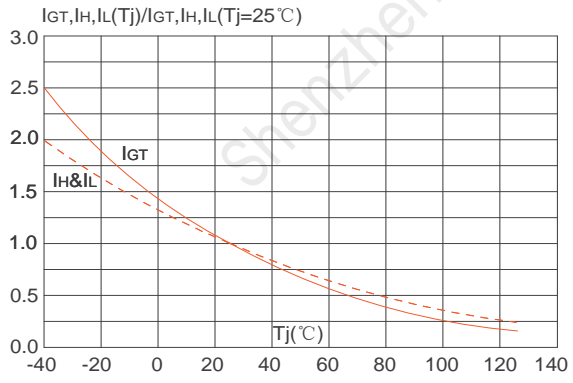
**FIG5**

Non-repetitive surge peak on-state current for a sinusoidal pulse with width  $t_p < 20\text{ms}$ , and corresponding value of  $I^2t$  ( $di/dt < 100\text{A}/\mu\text{s}$ )

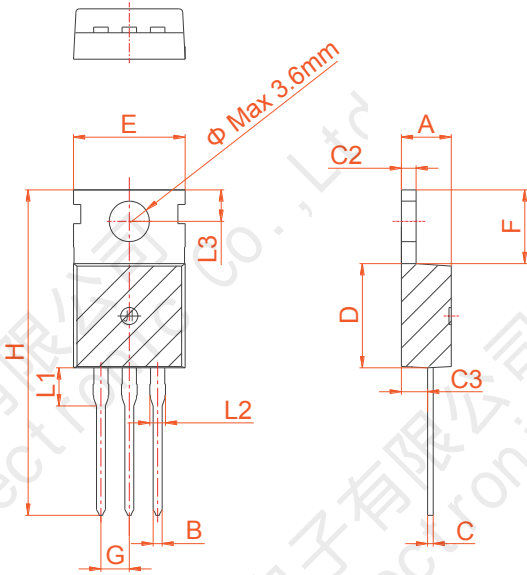


**FIG6**

Relative variations of gate trigger current, holding current and latching current versus junction temperature



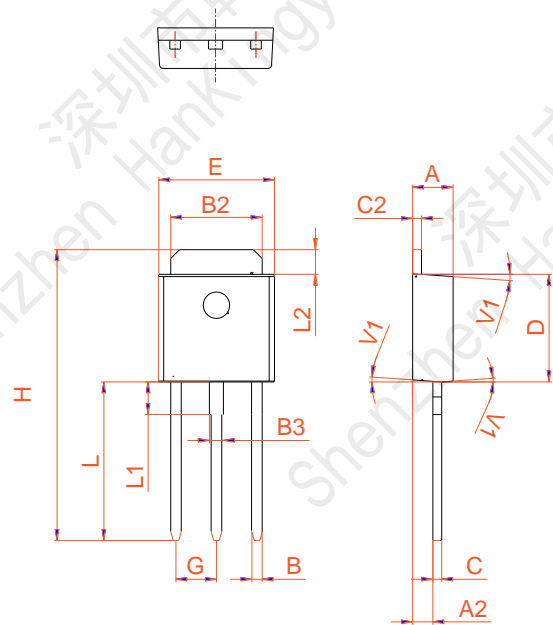
**PACKAGE MECHANICAL DATA**



TO-220C

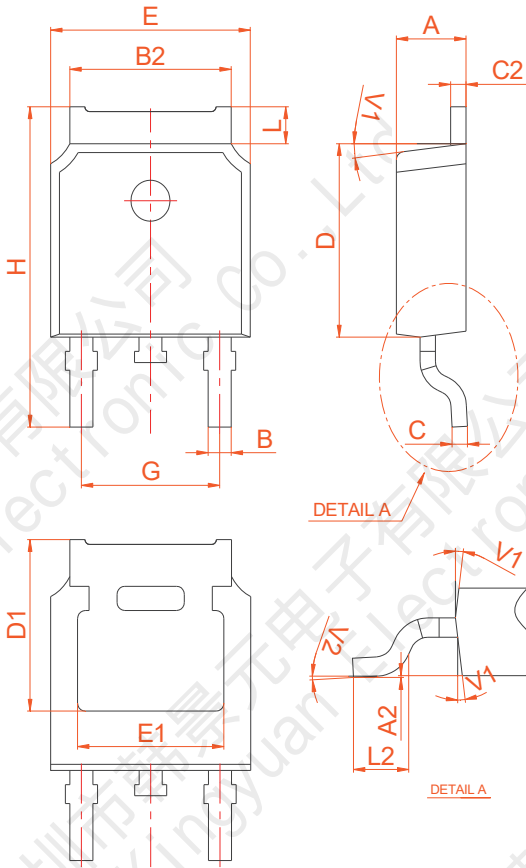
Ref.	Dimensions					
	Millimeters			Inches		
	Min.	Typ.	Max.	Min.	Typ.	Max.
A	4.40		4.60	0.173		0.181
B	0.70		0.90	0.028		0.035
C	0.45		0.60	0.018		0.024
C2	1.23		1.32	0.048		0.052
C3	2.20		2.60	0.087		0.102
D	8.90		9.90	0.350		0.390
E	9.90		10.3	0.390		0.406
F	6.30		6.90	0.248		0.272
G		2.54			0.1	
H	28.0		29.8	1.102		1.173
L1		3.39			0.133	
L2	1.14		1.70	0.045		0.067
L3	2.65		2.95	0.104		0.116
$\phi$		3.6			0.142	

Ref.	Dimensions					
	Millimeters			Inches		
	Min.	Typ.	Max.	Min.	Typ.	Max.
A	2.20		2.40	0.086		0.095
A2	0.90		1.20	0.035		0.047
B	0.55		0.65	0.022		0.026
B2	5.10		5.40	0.200		0.213
B3	0.76		0.85	0.030		0.033
C	0.45		0.62	0.018		0.024
C2	0.48		0.62	0.019		0.024
D	6.00		6.20	0.236		0.244
E	6.40		6.70	0.252		0.264
G		2.30			0.091	
H	16.0		17.0	0.630		0.669
L	8.90		9.40	0.350		0.370
L1	1.80		1.90	0.071		0.075
L2	1.37		1.50	0.054		0.059
V1		4°			4°	



TO-251

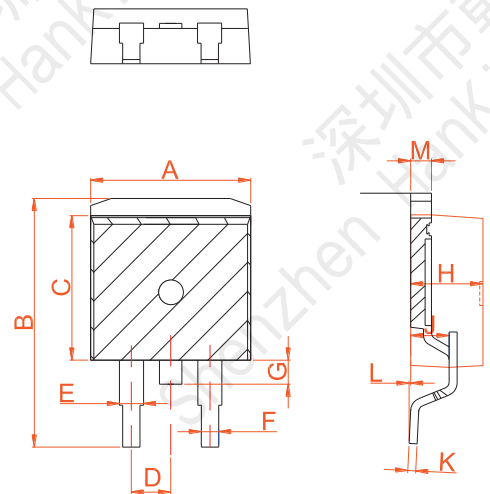
**PACKAGE MECHANICAL DATA**



**TO-252**

Ref.	Dimensions					
	Millimeters			Inches		
	Min.	Typ.	Max.	Min.	Typ.	Max.
A	2.20		2.40	0.086		0.095
A2	0.03		0.23	0.001		0.009
B	0.55		0.65	0.022		0.026
B2	5.10		5.40	0.200		0.213
C	0.45		0.55	0.018		0.022
C2	2.70		2.90	0.106		0.114
D	6.00		6.20	0.236		0.244
E	6.40		6.70	0.252		0.264
G	4.40		4.70	0.173		0.185
H	9.35		10.6	0.368		0.417
L1	1.30		1.70	0.051		0.067
L2	1.37		1.50	0.054		0.059
L3		0.8			0.031	
L4		0.8			0.031	
V1		4°			4°	
V2	0°		8°	0°		8°

Ref.	Dimensions					
	Millimeters			Inches		
	Min.	Typ.	Max.	Min.	Typ.	Max.
A	9.90		10.20	0.390		0.402
B	14.70		15.80	0.579		0.622
C	9.4		9.6	0.37		0.378
D		2.54			0.100	
E	1.20		1.40	0.047		0.055
F	0.75		0.85	0.029		0.033
G			1.75			0.069
H	4.40		4.70	0.173		0.185
J	2.30		2.70	0.091		0.106
K	0.38		0.55	0.015		0.022
L	0	0.10	0.25	0	0.004	0.010
M	1.25		1.35	0.049		0.053



**TO-263**



Information furnished is believed to be accurate and reliable. However, Shenzhen HanKingyuan Electronic assumes no responsibility for the consequences of use of such information nor for any infringement of patents or other rights of third parties which may result from its use. Specifications mentioned in this publication are subject to change without notice. This publication supersedes and replaces all information previously supplied.

The KY logo is a registered trademark of Shenzhen HanKingyuan Electronic.

©2013 Shenzhen HanKingyuan Electronic - Printed in Shenzhen - All Rights Reserved