

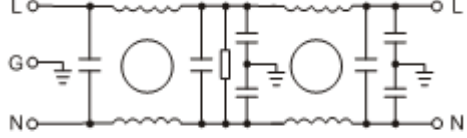
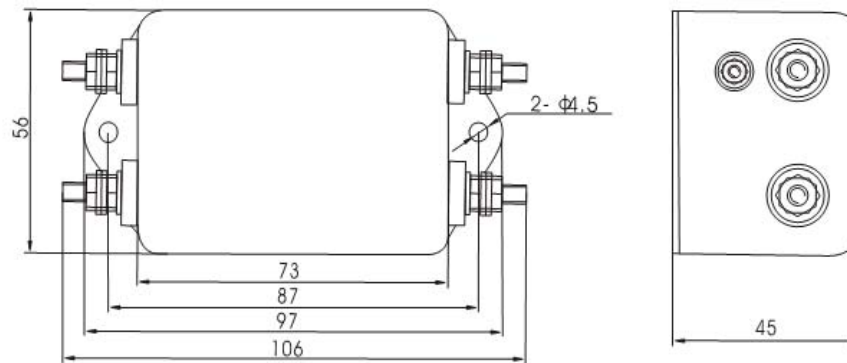


Part No.	Rated Current	Leakage Current	Dimension	Input	Output	Electrical Schematics
DL-20T1	20A	<1.0 mA	A5			

### Applications

Available for Single-Chip computer systems and switching power supplies

Rated Voltage 11/250VAV  
 Line Frequency 50/60Hz  
 Test Voltage 1500VDC  
 1500VAC  
 Insulation Resistance >50MΩ @ 500VDC  
 Temperature Rise < 50°C  
 Climatic category 25\*085/21



A5

RUICHI

