

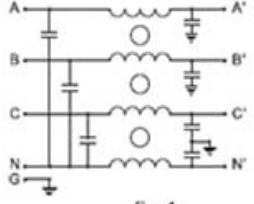


Part No.	Rated Current	Ground Capacitance	Discharge Resistance	Input	Output	Electrical Schematics
DL-10EAX1	10	6.8				 <p>fig.1</p>

Applications  
 Suppress the industrial radio interference along power lines

Rated Voltage            250/440VAV  
 Line Frequency        50/60Hz  
 Test Voltage            1500VDC  
                                   2250VAC  
 Rated Current           50-600A  
 Climatic category      25/085/21

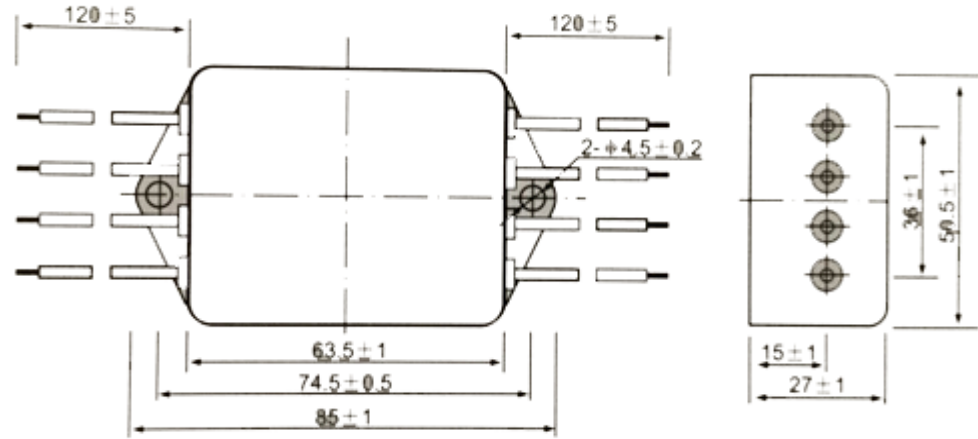
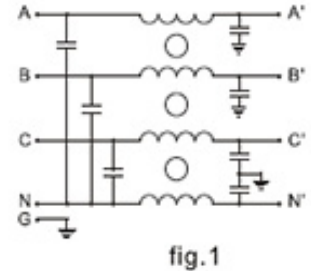


fig.2

RUICHI